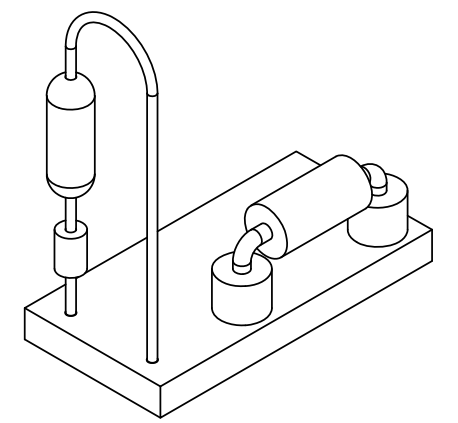
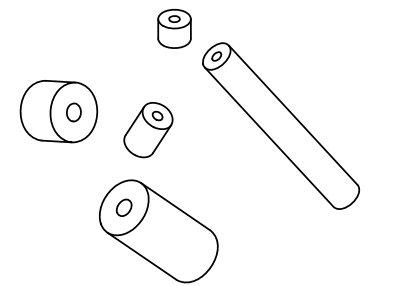
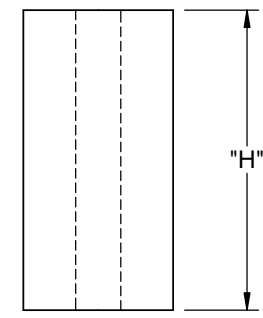
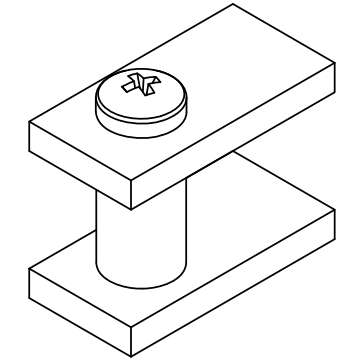
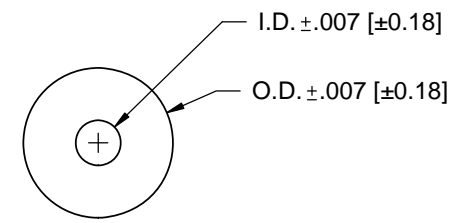


LENGTH "H"	DIM. "H" TOLERANCE	PART NO.							
		ID: .028 [0.7]	ID: .032 [0.8]	ID: .032 [0.8]	ID: .047 [1.2]	ID: .090 [2.3]	ID: .085 [2.2]	ID: .047[1.2]	ID: .105 [2.7]
		OD: .085 [2.2]	OD: .085 [2.2]	OD: .125 [3.2]	OD: .125 [3.2]	OD: .125 [3.2]	OD: .148 [3.6]	OD: .156 [4.0]	OD: .167 [4.2]
1/16 [1.6]	±.007 [±0.18]	R901-1	R938-1	R902-1	R939-1	R937-1	R906-1	R903-1	R907-1
1/8 [3.2]		R901-2	R938-2	R902-2	R939-2	R937-2	R906-2	R903-2	R907-2
3/16 [4.8]		R901-3	R938-3	R902-3	R939-3	R937-3	R906-3	R903-3	R907-3
1/4 [6.4]		R901-4	R938-4	R902-4	R939-4	R937-4	R906-4	R903-4	R907-4
5/16 [7.9]		R901-5	R938-5	R902-5	R939-5	R937-5	R906-5	R903-5	R907-5
3/8 [9.5]		R901-6	R938-6	R902-6	R939-6	R937-6	R906-6	R903-6	R907-6
7/16 [11.1]		R901-7	R938-7	R902-7	R939-7	R937-7	R906-7	R903-7	R907-7
1/2 [12.7]		R901-8	R938-8	R902-8	R939-8	R937-8	R906-8	R903-8	R907-8
9/16 [14.3]	±.010 [±0.25]	*R901-9	*R938-9	*R902-9	*R939-9	*R937-9	*R906-9	*R903-9	*R907-9
5/8 [15.9]		*R901-10	*R938-10	*R902-10	*R939-10	*R937-10	*R906-10	*R903-10	*R907-10
11/16 [17.5]		*R901-11	*R938-11	*R902-11	*R939-11	*R937-11	*R906-11	*R903-11	*R907-11



LENGTH "H"	DIM. "H" TOLERANCE	PART NO.					
		ID: .063 [1.6]	ID: .091 [2.3]	ID: .125 [3.2]	ID: .125 [3.2]	ID: .147 [3.7]	ID: .171 [4.3]
		OD: .187 [4.8]	OD: .187 [4.8]	OD: .187 [4.8]	OD: .250 [6.4]	OD: .250 [6.4]	OD: .250 [6.4]
1/16 [1.6]	±.007 [±0.18]	R904-1	R913-1	R908-1	R911-1	R905-1	R912-1
1/8 [3.2]		R904-2	R913-2	R908-2	R911-2	R905-2	R912-2
3/16 [4.8]		R904-3	R913-3	R908-3	R911-3	R905-3	R912-3
1/4 [6.4]		R904-4	R913-4	R908-4	R911-4	R905-4	R912-4
5/16 [7.9]		R904-5	R913-5	R908-5	R911-5	R905-5	R912-5
3/8 [9.5]		R904-6	R913-6	R908-6	R911-6	R905-6	R912-6
7/16 [11.1]		R904-7	R913-7	R908-7	R911-7	R905-7	R912-7
1/2 [12.7]		R904-8	R913-8	R908-8	R911-8	R905-8	R912-8
9/16 [14.3]	±.010 [±0.25]	*R904-9	*R913-9	*R908-9	R911-9	*R905-9	*R912-9
5/8 [15.9]		*R904-10	*R913-10	*R908-10	*R911-10	*R905-10	*R912-10
11/16 [17.5]		*R904-11	*R913-11	*R908-11	*R911-11	*R905-11	*R912-11



**\*PARTS AVAILABLE BY SPECIAL ORDER ONLY.**

NOTES:  
1. MATERIAL: MODIFIED TYPE 6 NYLON (RMS-60).  
2. COLOR: WHITE.  
COLOR BLACK AVAILABLE BY SPECIAL ORDER. TO ORDER ADD "BK" AT THE END OF PART NUMBER.

REV.	DESCRIPTION	ENGR.	DATE
L	OBSOLETE R910 SERIES - ECN # 1403	DZ	03/25/2015
K	SEE CO 200768 FOR CHANGES	SK	03/26/2012
J	SEE CO 200243 FOR CHANGES	SK	09/17/08
I	SEE CO 200035 FOR CHANGES	SK	09/26/07
H	SEE ECN #863 FOR CHANGES	SM	10.04.04
G	SEE ECN #815 FOR CHANGES	SM	07/02/04

TITLE: NYLON SPACERS				DWG IN IN [MM]		FINAL	
CREATED USING SOLIDWORKS	FILE #: R900	DWN: SM	APP: -				
TOLERANCES UNLESS NOTED .XX=±.010 .XXX=±.005 FRAC.=±1/64 ANG.=±1°	SHEET: 1 OF 1	SHEET SIZE: B	DT: 07/01/04	CHKD: -	PART #		PRINT TYPE
RE: RICHCO, INC.		RICHCO, INC. ENG@RICHCO-INC.COM (773) 539-4060		SEE TABLE		CA	